

# HTM electronics

NEW AND KEY PRODUCTS  
WITH STOCKING INVENTORY



[WWW.HTM-SENSORS.COM](http://WWW.HTM-SENSORS.COM)

# SAFETY LIGHT CURTAINS

## CATEGORY 2 OR CATEGORY 4

**FIXED BLANKING**

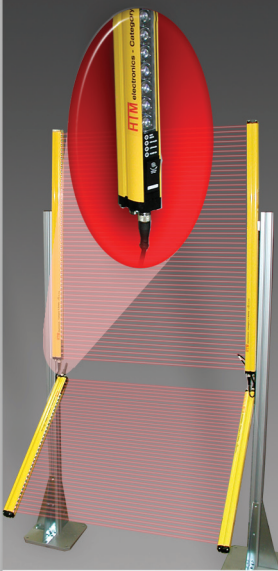
**FLOATING BLANKING**

**CASCADABLE**





## SELECTION & ORDERING INFORMATION




<b>SE4 Standard Category 4 Standard Safety Light Curtains</b>			
Model	Beams	Protective Height	Response Time
SE4-30-060-PP-E	32	621mm (24.45 in.)	25ms
SE4-30-090-PP-E	48	915mm (36.02 in.)	30ms
SE4-30-120-PP-E	64	1209mm (47.60 in.)	35ms


<b>SE4 Advanced Category 4 Safety Light Curtains With Advanced Features</b>			
Model	Beams	Protective Height	Response Time
SE4-30-060-PP-N	32	621mm (24.45 in.)	25ms
SE4-30-090-PP-N	48	915mm (36.02 in.)	30ms
SE4-30-120-PP-N	64	1209mm (47.60 in.)	35ms

**4-POLE, M12 Connector (Emitter)**



1 = brown = +24 VDC  
2 = white = N.C.  
3 = blue = 0 V  
4 = black = N.C.

**8-POLE M12 Connector (Receiver)**



1 = white = TEST/START  
2 = brown = +24 VDC  
3 = green = Not Connected  
4 = yellow = EDM  
5 = grey = OSSD1  
6 = pink = OSSD2  
7 = blue = 0 V  
8 = red = Not Connected

# STANDARD PROXIMITY SENSORS



## SELECTION & ORDERING INFORMATION

Type	Pre-wired			Quick Connect			
Barrel	M8	M12	M18	M8	M12	M18	
Sensing Distance	1 mm	2 mm	5 mm	1 mm	2 mm	5 mm	
Housing Material	Stainless Steel	Chrome-plated Brass			Stainless Steel	Chrome-plated Brass	
Part Numbers							
DC 3 wire 10-30V NPN N.O.	FCU1-0801N-A3U2	FCM1-1202N-A3U2	FCM1-1805N-A3U2	FCU1-0801N-ACU3	FCM1-1202N-ARU4	FCM1-1805N-ARU4	
DC 3 wire 10-30V PNP N.O.	FCU1-0801P-A3U2	FCM1-1202P-A3U2	FCM1-1805P-A3U2	FCU1-0801P-ACU3	FCM1-1202P-ARU4	FCM1-1805P-ARU4	
Diagrams (units in mm)							

# LONG RANGE PROXIMITY SENSORS

## Long Range Inductive Proximity Sensors



\* Results based on normal operation of our standard M12 inductive proximity sensor compared to our M12 Long Range models.

## SELECTION & ORDERING INFORMATION

Barrel	M8	M12	M18	M30
Sensing Distance	3 mm	6 mm	12 mm	22 mm
Housing Material	Chrome-plated Brass			
<b>Part Numbers</b>				
DC 3 wire 10-30V PNP N.O.	LCM1-0803P-ARU4	LCM1-1206P-ARU4	LCM1-1812P-ARU4	LCM1-3022P-ARU4
DC 3 wire 10-30V NPN N.O.	LCM1-0803N-ARU4	LCM1-1206N-ARU4	LCM1-1812N-ARU4	LCM1-3022N-ARU4
Diagrams (units in mm)				

# METALHEAD PROXIMITY SENSORS

**\* Manufactured from a Solid Piece of Stainless Steel**

**\* Provides Ultra-rugged Protection from Contact, Abrasion & Corrosion**

## SELECTION & ORDERING INFORMATION

Barrel	M8	M12	M18	M30
<b>Standard Range</b>	1 mm	2 mm	5 mm	10 mm
DC 3 wire 10-30V PNP N.O.	FCS1-0801P-ARU4	FCS1-1202P-ARU4	FCS1-1805P-ARU4	FCS1-3010P-ARU4
DC 3 wire 10-30V NPN N.O.	FCS1-0801N-ARU4	FCS1-1202N-ARU4	FCS1-1805N-ARU4	FCS1-3010N-ARU4
<b>Extended Range</b>	2 mm	4 mm	8 mm	15 mm
DC 3 wire 10-30V PNP N.O.	ECS1-0802P-ARU4	ECS1-1204P-ARU4	ECS1-1808P-ARU4	ECS1-3015P-ARU4
DC 3 wire 10-30V NPN N.O.	ECS1-0802N-ARU4	ECS1-1204N-ARU4	ECS1-1808N-ARU4	ECS1-3015N-ARU4
<b>Long Range</b>	3 mm	6 mm	10 mm	20 mm
DC 3 wire 10-30V PNP N.O.	LCS1-0803P-ARU4	LCS1-1206P-ARU4	LCS1-1810P-ARU4	LCS1-3022P-ARU4
DC 3 wire 10-30V NPN N.O.	LCS1-0803N-ARU4	LCS1-1206N-ARU4	LCS1-1810N-ARU4	LCS1-3022N-ARU4

# WELD FIELD IMMUNE PROXIMITY SENSORS



## SELECTION & ORDERING INFORMATION

Barrel	M8	M12	M18	M30
Sensing Distance	1 mm	2 mm	5 mm	10 mm
Housing Material	PTFE Coated Brass			
<b>Part Numbers</b>				
DC 3 wire 10-30V PNP N.O.	WCM1-0801P-ARU4	WCM1-1202P-ARU4	WCM1-1812P-ARU4	WCM1-3010P-ARU4
DC 3 wire 10-30V NPN N.O.	WCM1-0801N-ARU4	WCM1-1202N-ARU4	WCM1-1812N-ARU4	WCM1-3010N-ARU4
Diagrams (units in mm)				

# SPATTERGUARD PROXIMITY SENSORS

## Weld Slag Build-up



Our MetalHead Proximity Sensors stand up to the harshest industrial environments

## Weld Slag Resistant



Our MetalHead Proximity Sensors with SpatterGuard are just as tough, but resist slag build-up near welding applications.

## SELECTION & ORDERING INFORMATION

Barrel	M8	M12	M18	M30
Sensing Distance	2 mm	4 mm	8 mm	15 mm
Housing Material	PTFE Coated Stainless Steel			
<b>Part Numbers</b>				
DC 3 wire 10-30V PNP N.O.	ECS1-0802P-ACS3-PTFE	ECS1-1204P-ARU4-PTFE	ECS1-1808P-ARU4-PTFE	ECS1-3015P-ARU4-PTFE
DC 3 wire 10-30V NPN N.O.	ECS1-0802N-ACS3-PTFE	ECS1-1204N-ARU4-PTFE	ECS1-1808N-ARU4-PTFE	ECS1-3015N-ARU4-PTFE
Diagrams (units in mm)				

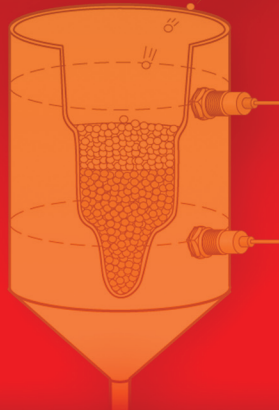
# CAPACITIVE PROXIMITY SENSORS

For the reliable detection of  
Solids, Liquids, Plastics, Powders & Pastes



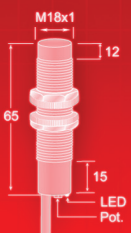
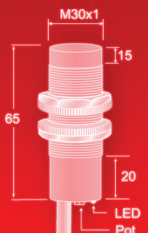


Upper Limit

Lower Limit



## SELECTION & ORDERING INFORMATION

Barrel	M18	M30
		
Sensing Distance	15mm (adjustable)	30mm (adjustable)
Housing Material	PBT	PBT
<b>Part Numbers</b>		
DC 3 wire 10-30V NPN N.O.	CCP2-1815N-A3U2	CCP2-3030N-A3U2
DC 3 wire 10-30V PNP N.O.	CCP2-1815P-A3U2	CCP2-3030P-A3U2
AC 2 wire 20-250 VAC N.O.	CCP2-1815A-A2L2	CCP2-3030A-A2L2
		



# PHOTO-ELECTRIC SENSORS

## CYLINDRICAL PHOTOELECTRICS



## SELECTION & ORDERING INFORMATION

Barrel	M18			
Part Numbers			Through Beam	
	Diffused	Retroreflective	Receiver	Emitter
PNP Models	M18B-D0500P-CX9Q4UE	M18B-L3000P-CX9Q4UE	M18B-T015MP-CX9Q4UE	M18B-T015MD-EX9Q4LE
NPN Models	M18B-D0500N-CX9Q4UE	M18B-L3000N-CX9Q4UE	M18B-T015MN-CX9Q4UE	M18B-T015MD-EX9Q4LE
Sensing Range	500 mm (adjustable)	3 meters	15 meters	
Housing Material	Nickel-plated Brass			

# POWER SUPPLIES

Multiple Output  
Terminals For Positive  
And Negative

2 Mounting Possibilities  
(DIN Rail and Panel)



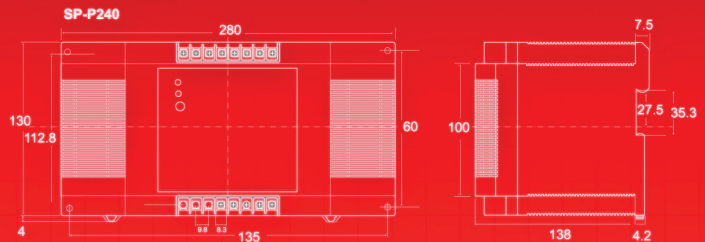
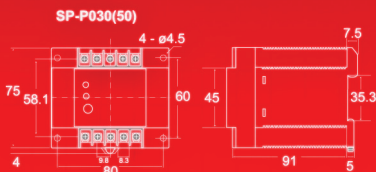
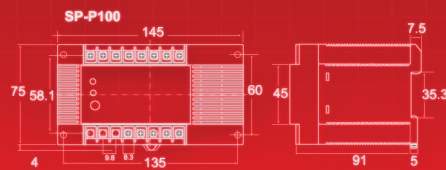
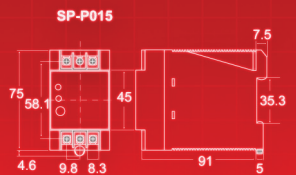
LED Lights-up To Indicate  
Output Voltage Drop

Wide Range Voltage Input  
(AC 110-220V)

CSA & CE approvals

## SELECTION & ORDERING INFORMATION

Capacity	Output Voltage	Output Current	Model
15w	24V	0.6A	SP-P015S024P-FT
30w	12V	2.5A	SP-P030S012P-FT
	24V	1.3A	SP-P030S024P-FT
50w	24V	2.1A	SP-P050S024P-FT
100w	24V	4.2A	SP-P100S024P-FT



# CABLES & BOXES



**DC - MICRO**

**AC - MICRO**

**M8 - PICO**

**MINI**







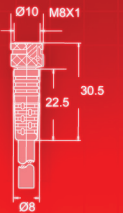
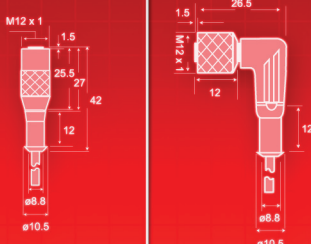
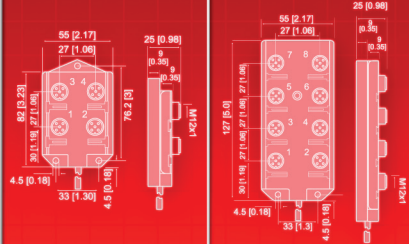
**STRAIGHT & 90°**

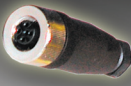



**PVC & PUR**

**YELLOW, GREY OR BLACK**

**DOUBLE-ENDED CABLES**

## SELECTION & ORDERING INFORMATION

Cables					Boxes	
	C Series - M8 Pico		R Series - M12 DC Micro		4 Port	8 Port
						
Part Numbers						
3 Poles	C-FS3TZ-V075	C-FA3TZ-V075				
4 Poles	C-FS4TZ-V075	C-FA4TZ-V075	R-FS4TZ-V075	R-FA4TZ-V075		
4 Port PNP					ASTR4-5/4PA-1005	
4 Port NPN					ASTR-5/4NA-1005	
8 Port PNP						DSTR8-5/4PA-1205
8 Port NPN						DSTR8-5/4NA-1205
Diagrams						

Field Connectors				
				
Part Number	R-FS4KZPG7	R-FA4KZPG7	R-MS4KZPG7	R-MA4KZPG7
Poles	4 (female)	4 (female)	4 (male)	4 (male)
Max. Wire Section	18 AWG	18 AWG	18 AWG	18 AWG
Screw Joint for Cables	PG7 (Φ4.0-6.0mm)	PG7 (Φ4.0-6.0mm)	PG7 (Φ4.0-6.0mm)	PG7 (Φ4.0-6.0mm)

# HTM electronics

## OUR SENSOR SERVICE COMMITMENT

### SUPERIOR CUSTOMER SERVICE

YOUR CALLS HANDLED PERSONALLY  
SPEAK TO A REPRESENTATIVE  
GET ASSISTANCE OVER THE PHONE,  
ON-LINE OR BY FAX

### MANY PARTS IN STOCK

FAST DELIVERY TIMES  
WIDE VARIETY OF PRODUCTS  
SAME DAY SHIPPING

### EXPERIENCED TECHNICAL ASSISTANCE

OVER 20 YEARS  
OF SENSOR EXPERIENCE  
CREATIVE APPLICATION ASSISTANCE  
QUESTIONS ANSWERED WITH  
SPEED AND SKILL

### ECONOMY PRICING

WE HAVE SOME OF THE  
INDUSTRY'S LOWEST PRICES  
SPECIAL WEB OFFERS  
QUANTITY DISCOUNTS

### QUALITY PRODUCTS

INDUCTIVE PROXIMITY  
CAPACITIVE PROXIMITY  
PHOTOELECTRICS  
LASERS  
SAFETY LIGHT CURTAINS  
CABLES & CONNECTORS  
DISTRIBUTION BOXES  
SENSOR ACCESSORIES

[WWW.HTM-SENSORS.COM](http://WWW.HTM-SENSORS.COM)

**HTM** electronics industries

8651 Buffalo Avenue, Niagara Falls, NY 14304  
(800) 644-1756 Fax: (888) 283-2127  
[www.htm-sensors.com](http://www.htm-sensors.com) / [custserv@htm-sensors.com](mailto:custserv@htm-sensors.com)